



How to measure your ring size

- 1 Print this document at 100% size. Please make sure the options to fit or shrink to page are not selected in your print window.
- 2 Measure the outer box with a ruler to ensure it matches the dimensions marked.
- 3 Hold your ring against the chart and choose the letter that best matches the internal diameter of the ring. This is the size of your ring.

Please note:

Measure with a ring similar in width to the one you are ordering. Rings with a wider band need to be a larger size, even if they will be worn on the same finger.

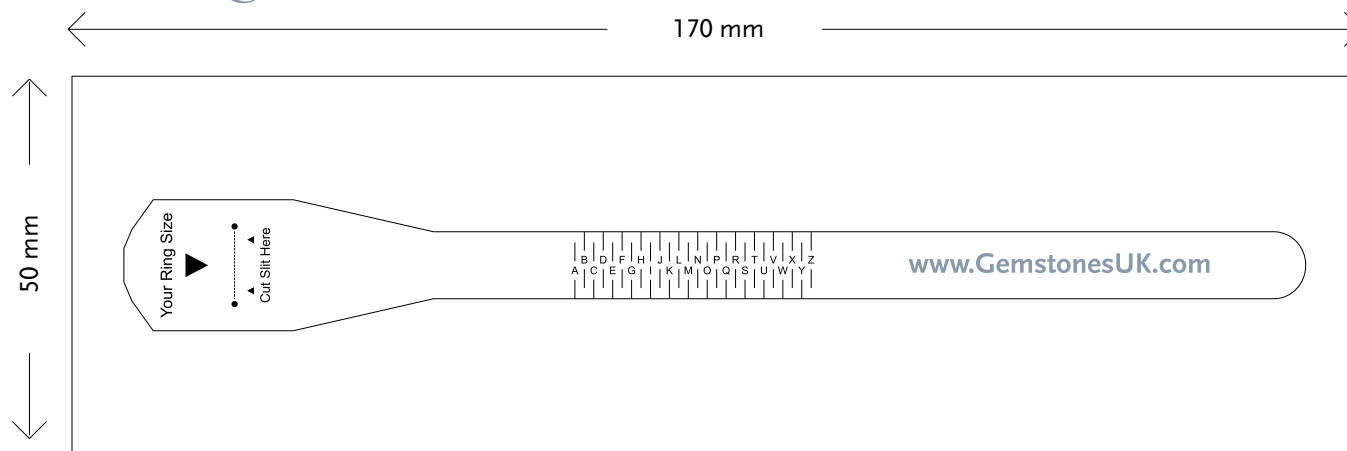
Be sure that both sides of your ring are the same size.

To Order

Visit www.GemstonesUK.com and browse our huge selection of rings, or click on Design Your Ring to design the perfect diamond ring with the diamond and setting of your choice.

You may order online or by telephone on **0800 093 6401**.

Ring Belt Sizer



How to measure your ring size

- 1 Print this document at 100% size. Please make sure the options to fit or shrink to page are not selected in your print window.
- 2 Measure the outer box with a ruler to ensure it matches the dimensions marked.
- 3 Cut out the sizer around the outline and cut a slit where indicated. Push the end through the slit to make a ring shape and slip it around your finger.
- 4 Adjust until you have a comfortable fit that slides easily over the knuckle. The letter indicated by the arrow is your ring size.

Please note:

Do not pull the sizer tightly. Make sure you are able to slide the sizer on and off your finger comfortably.

To Order

Visit www.GemstonesUK.com and browse our huge selection of rings, or click on Design Your Ring to design the perfect diamond ring with the diamond and setting of your choice.

You may order online or by telephone on **0800 093 6401**.